

**THE MOST COMPACT
REEL AND DRUM LIFTER
OF ITS KIND.**

For live applications:
www.youtube.com/HOVMANDIMPACT



GMP



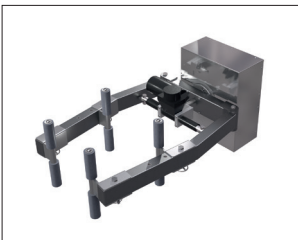
Mobile, manoeuvrable and extremely space-saving.



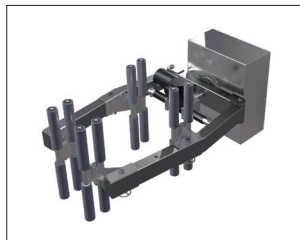
Lighter, more agile, lower price. QC3 – the mobile battery-operated reel and drum lifter. The QC3 electric gripper can be combined with the very light and manoeuvrable Impact 130-3 and INOX 90-3 lifters to open up new options for the safe and efficient handling of packaging material and drums of up to 60 kg.

For example, you can take reels from a stack and insert them directly into a machine. The QC3 performs this task while conforming to work and safety regulations and without physical strain. Its special grip and turn function also enables you to grip drums and empty their contents from heights of up to 2.20 m. Furthermore, the QC3 means your existing infrastructure can be better utilised, and involves no costly conversion work – the ideal lifting aid for production, hygiene areas, warehousing and logistics.

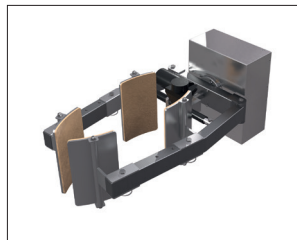
> A range of gripper types means the QC3 can be used for a range of different tasks:



GRIPPER TYPE A
WITH ROLLERS –
suitable for many objects
and for film reels



GRIPPER TYPE B
WITH DUAL ROLLERS –
for soft drums e.g. made
of cardboard or PVC



GRIPPER TYPE C
WITH PLATES –
for steel drums

IMPACT 130-3

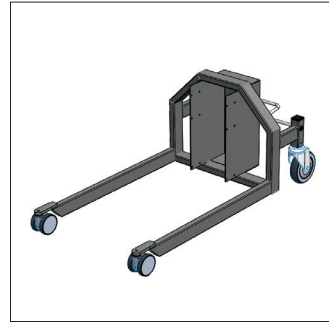
The aluminium Impact 130-3 all-rounder combined with the QC3 means reels and drums can now be gripped from the outside. Overload protection, a safety clutch and a soft start function ensure full safety during operation. It can be configured as required by selecting between three different lifting masts and two leg types.



LEG OPTIONS



FLEX TYPE 1
Length x inside width:
506 mm x 472 mm



BOX LEGS
Length x inside width:
500 x 397 mm



INOX 90-3

A popular reel and drum lifter with versatile leg systems for easy manoeuvring. Made from 100% stainless steel making it ideal for hygiene areas. Available in two sizes.



LEG OPTIONS



BOX
Length x inside width:
500 mm x 452 mm

IP66 Dustproof, waterproof, highly hygienic and suitable for category C and D clean rooms.

100% Stainless steel Easy to clean.



TECHNICAL SPECIFICATIONS:

Type	Lifting capacity kg	Lifting stroke mm	Lifting column height mm	Lifting speed mm/sec	Battery power V/Ah	Weight kg
Impact 130-3L-Box-QC3-A	60	210-1410	1517	125	24/18	74,3
Impact 130-3L-Flex-QC3-A	60	220-1420	1526	125	24/18	83,6
Impact 130-3M-Box-QC3-A	60	210-1810	1917	125	24/18	76,5
Impact 130-3M-Flex-QC3-A	60	220-1820	1926	125	24/18	85,8
Impact 130-3H-Box-QC3-A	60	210-2210	2317	125	24/18	78,8
Impact 130-3H-Flex-QC3-A	60	220-2220	2326	125	24/18	88
INOX 90-3L-Box-QC3-A	60	200-1410	1520	125	24/18	78,9
INOX 90-3M-Box-QC3-A	60	200-1810	1922	125	24/18	82,5